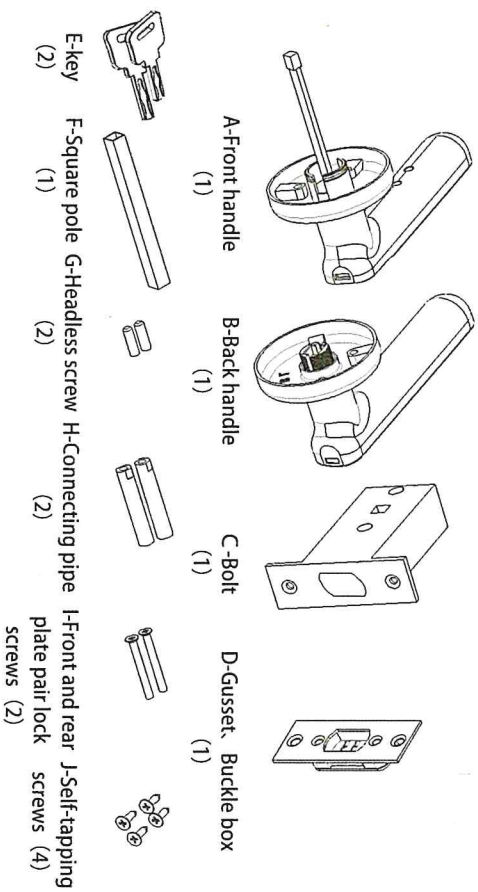


Installation manual of single tongue lock

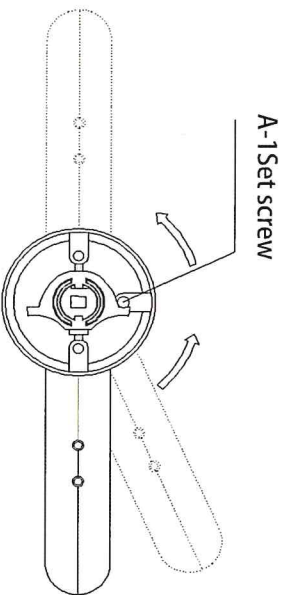
I、Check accessories

After unpacking the product, check whether the following accessories are complete



II、Adjust the handle direction

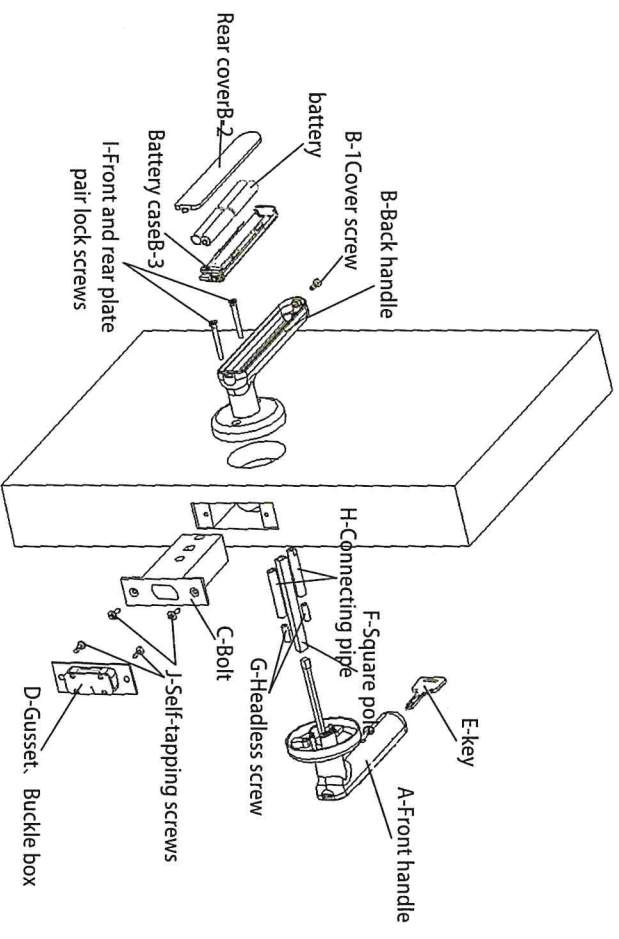
Adjust the handle direction according to the door opening direction, If you need to adjust as shown below: Loosen the positioning screws on the panel (1-A), Rotate the handle 180 degrees, then tighten the adjusting screw.



Schematic diagram of handle replacement direction

III、Install the door lock

1. Use the self-tapping screw (J) to fix the bolt (C) and the gusset box (D) on the door that has opened the corresponding hole.
2. Screw the headless screw (G) and the connecting tube (H) to the front handle panel (A) in turn. Insert the square bar (F) through the power cord into the square hole of the front handle (A).
3. Install the front handle assembly with accessories on the door, and pass the square bar (F) and the power cord through the square hole of the bolt (C).
4. Loosen the cover screw (B-1) of the rear handle (B), and take out the rear cover (B-2) and battery box (B-3).
5. Install the rear handle (B) on the door correspondingly. The power cord and the square bar on the front handle correspond to the square hole of the rear handle. Use two front and rear plate pair locking screws (I) to lock the rear handle and the front handle.
6. Insert the power cord plug into the battery box (B-3). And install 4 AAA alkaline batteries. At this time, the administrator and user can be entered through the buttons on the battery box (refer to the instruction manual)
7. After the setting is completed, put the battery box (B-3), and the excess power cord in the rear handle, and close the rear cover (B-2), and set the cover screw (B-1) to the rear. Tighten the cover. The installation is complete.



Door lock installation diagram