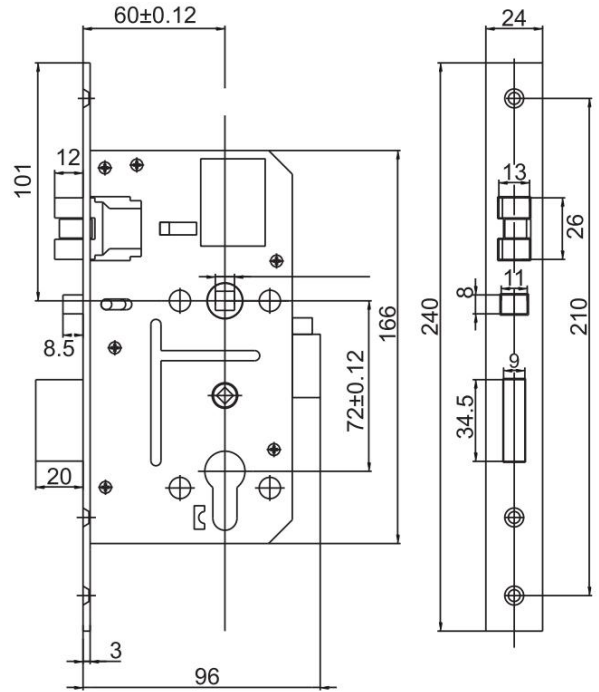
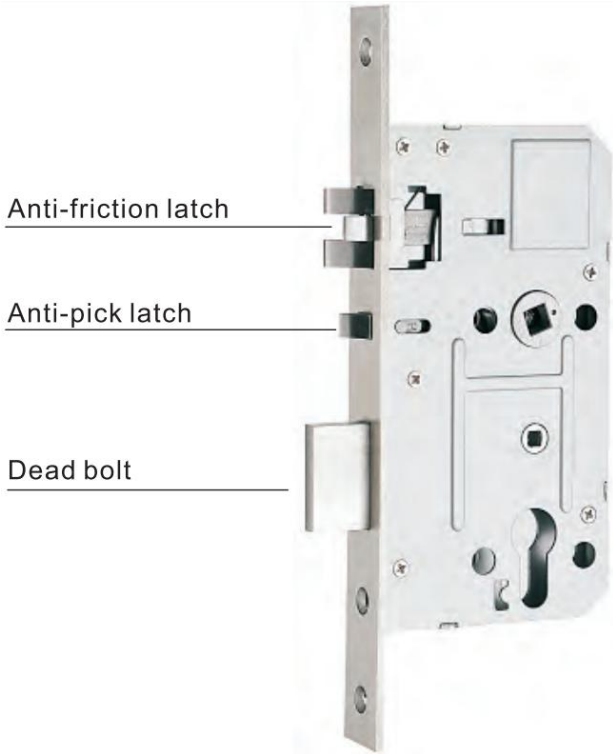
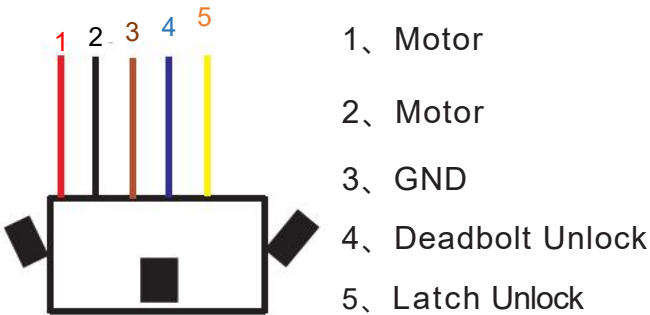


Mortise Introduction

6# Mortise (European Electronic 6072)



Mortise Wire Function



Mortise Material

Material	Strike & Plate	304 Stainless Steel
	Latch & Bolt	304 Stainless Steel
	Case	Steel

Mortise Merit

- Pass Intertek 200,000 times test
- Anti-pick latch
- Panic release function
- High performance motor (Electronic version)

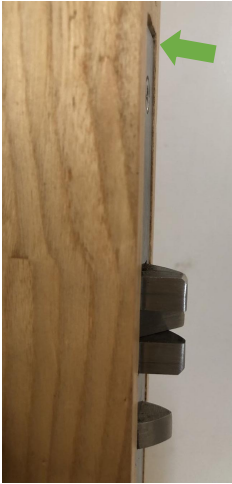


(High performance motor)

- Reduce risk of wood bits blocking
 - Reduce damage risk cause by inappropriate use
- (Turn down handle and touch card at the same time)

Install Attention

1. Make sure the plate installed correctly (horizontal to the door)

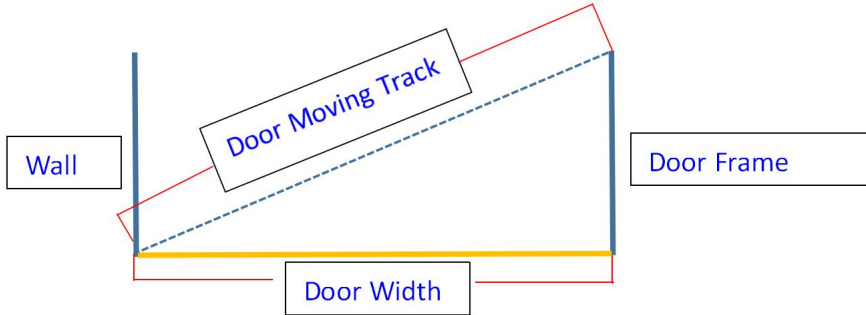


2. Make sure the strike installed correctly (horizontal to the door frame)



Install Attention

3. The gap between strike & plate should 3-5mm



Door moving track distance will surely longer than the door width. And 4mm reservation should be proper to most door.



(Gap: 4.86mm)



(Strike upward: 1.51mm)

$$4.86 - 1.51 = 3.35\text{mm}$$



(Gap: 3.92mm)



(Strike upward: 1.97mm)

$$3.92 - 1.97 = 1.95\text{mm}$$



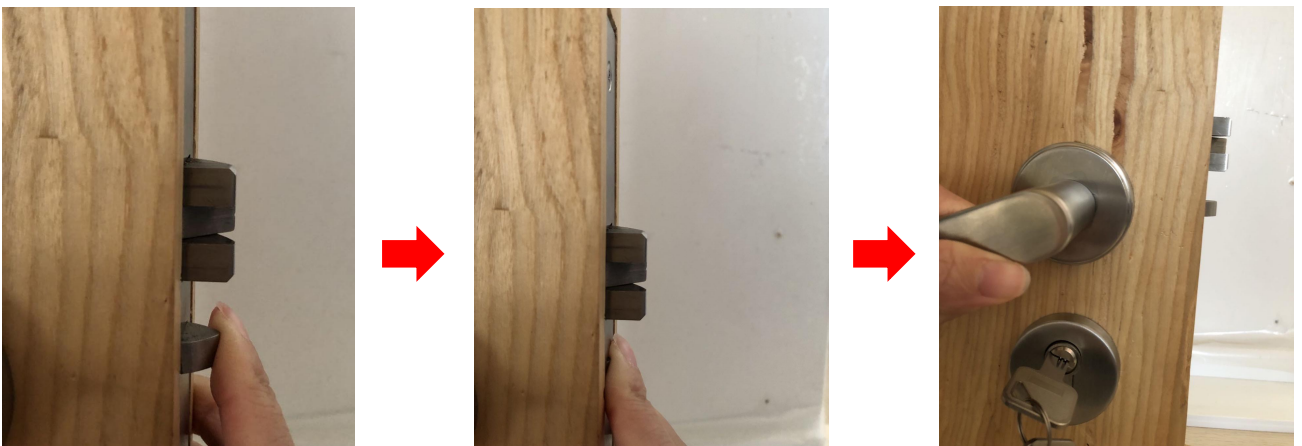
Install Attention

3. Curve the strike to make sure it can touch the proper part of the anti-pick latch



The proper touch part of the anti-pick latch by the strike should be between the **red line** and **green line**

4. Press in the anti-pick latch then **unlock** and pull down the handle to check if main latch can retract.



Incase the component may have lip and affect the movement of the latch.
(Proportion less than 0.2%)