

TVT

Secure The World With You

HD CCTV
Over Coax



1080P DISPLAY

1080P RECORD

1080P PLAYBACK



TD-2100TS-HC

TVT

TVT DIGITAL TECHNOLOGY CO., LTD.





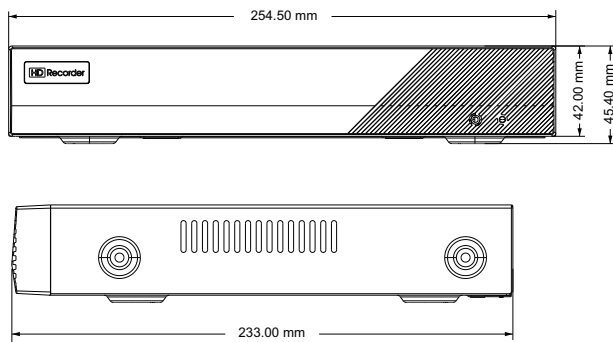
Introduction

TD-2100TS-HC series are 4 / 8 / 16 CH 1080P high definition DVRs with ability to connect analog and IP cameras simultaneously, which adopt the standard H.265 high profile compression format and the most advanced SOC technique to ensure real time recording in each channel and realize outstanding robustness of the system. TD-2100TS-HC support 4 / 8 / 16 CH video input, 1 / 1 CH audio input, simultaneous 4 / 8 / 16 CH playback. The series of product can meet different security requirements of home, financial, commerce, enterprise, transportation and government, etc.

Characteristics

- 4 / 8 / 16 CH TVI / AHD video input, support 5MP/4MP/3MP/1080P/720P/WD1
- 4 / 8 / 16 CH CVI video input, support 4MP /3MP/1080P / 720P/WD1
- 4 / 8 / 16 CH DVRs default support 2/4 / 8 CH IPC 5MP/4MP / 3MP / 1080P / 960P / 720P
- Adopt standard H.265 high profile compression format to get high-quality video at much lower bit rate
- Intuitive and user-friendly Graphics User Interface (GUI), window style operation by mouse
- Multi-mode recording: manual / timer / motion
- Playback : 4 / 8 / 16 CH simultaneously playback
- Search: time slice, time, event (manual, motion), tag search
- Express and flexible backup via USB, network and so on
- Pentaplex: preview, record, playback, backup and remote access
- DHCP, DDNS, PPPoE network protocol, IE browse and CMS supported
- Remote control via Web or CMS : preview, playback, backup, PTZ and configuration
- Dual stream technology for local storage with high definition, remote network transmission and remote surveillance with mobile device
- Multi-user online simultaneously
- Authorization management, log review and device status review
- Support 1080P output, true high resolution display
- Support PTZ preset and auto cruise, up to 255 presets and 8 cruises
- Support NAT function and QRCode scanning by mobile phone and PAD
- Powerful smart phone & Pad surveillance with iOS and Andriod OS

Dimensions

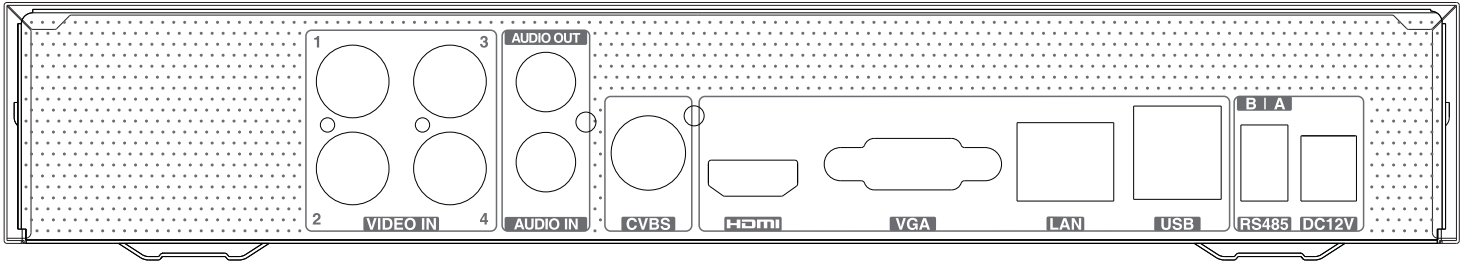


Specification

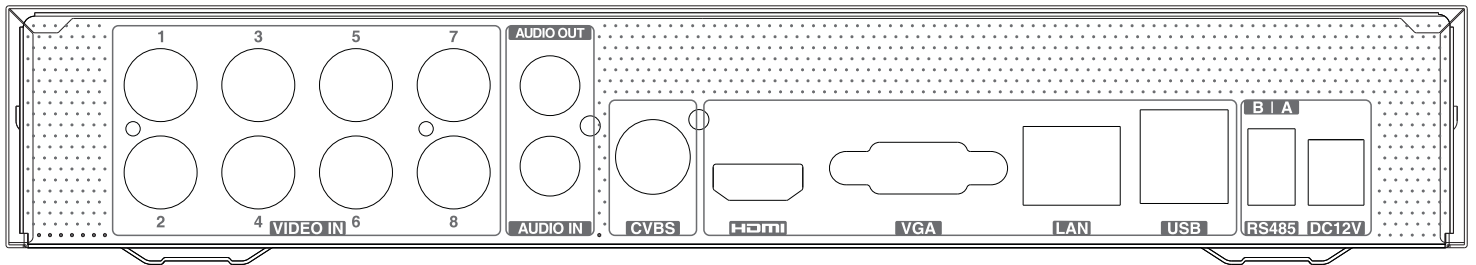
Model		TD-2104TS-HC	TD-2108TS-HC	TD-2116TS-HC
System	Compression	Standard H.265 High Profile		
	CPU	Cortex A9		
	OS	Embedded Linux		
Video	Input	BNC × 4	BNC × 8	BNC × 16
	Resolution	TVI/AHD : 5MP/4MP/3MP/1080P/720P/WD1 CVI : 4MP/3MP/1080P/720P/WD1		
	IP Input	2CH (Up to 6CH)	4CH (Up to 12CH)	8CH (Up to 16CH)
	Output	HDMI × 1 : 1920 × 1080 / 1280 × 1024 / 1024 × 768 VGA × 1 : 1920 × 1080 / 1280 × 1024 / 1024 × 768 BNC × 1 : CVBS (used as the main or spot output)		
Audio	Input	RCA × 1		
	Output	RCA × 1		
	Two-way audio	Take up channel one audio input		
Record	Resolution	5MP Lite/4MP Lite/1080P/1080P Lite/720P/WD1		
	Frame Rate	5MP Lite : 10fps 4MP Lite : 12fps (PAL)/15fps (NTSC) 1080P : 12fps (PAL)/15fps (NTSC) 1080P Lite/720P/WD1 : 25fps (PAL)/30fps (NTSC)		
	Bit Rate	32Kbps ~ 4Mbps	32Kbps ~ 4Mbps	32Kbps ~ 5Mbps
	Mode	Manual, timer, motion		
IP Input	Resolution	Up to 5MP@25fps	Up to 5MP@30fps	Up to 5MP@30fps
Play back	Playback	4 CH	8 CH	16 CH
	Search	Time slice / time / event / tag search		
	Smart Search	Highlight colors to display the camera record in a certain period of time, different colors refer to different record events		
	Function	Play, pause, FF, FB, digital zoom, etc.		
Alarm	Mode	Manual, motion, exception		
	Input	No		
	Output	No		
	Triggering	Record, snap, preset, e-mail, etc.		
Network	Interface	RJ45 100Mbps × 1		
	Protocol	TCP / IP, PPPoE, DHCP, DNS, DDNS, UPnP, NTP, SMTP		
	Accss/Transfer Bandwidth	36/40Mbps	60/60Mbps	72/80Mbps
Mobile Device	OS	iOS, Andriod		
Storage	HDD	SATA × 1, up to 6TB	SATA × 1, up to 6TB	SATA × 1, up to 8TB
Backup	Local Backup	U disk, USB removable HDD		
	Network Backup	Yes		
Port	RS485	RS485 × 1, connect to PTZ or keyboard		
	USB	USB 2.0 × 2 (in the rear panel)		
	Remote Controller	Optional		
Others	Power Supply	DC12V / 1.5A	DC12V / 2A	DC12V / 3A
	Consumption	≤5W(without HDD)	≤8W(without HDD)	≤10W(without HDD)
	Dimensions	255mm × 233mm × 42 mm (W × D × H)		
	Work Environment	-10 ~ 50 °C , 10% ~ 90% humidity		

Rear Panels

TD-2104TS-HC



TD-2108TS-HC



TD-2116TS-HC

