



## 10 LED ON-OFF

The LED can be enabled or disabled by using the LED ON/OFF switch or by using D.L. terminal.

### 1 LED ON/OFF Switch (SX-360Z only)



- Use this switch to enable or disable LED.
- This switch has priority to over DL terminal.

### 2 DL Terminal (for LED remote control)

- LED can be enabled or disabled remotely by using DL terminal.

	Remote operation
LED Enabled	Connect DL terminal to common ground.
LED Disabled	Open DL terminal circuit.

**Note>>**

- LED operation does not affect the alarm memory functions.
- DL terminal common line is same as terminal of POWER INPUT.

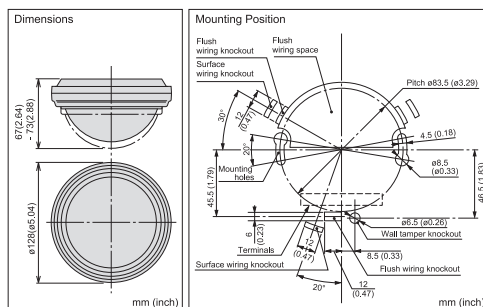
## 11 TROUBLE SHOOTING AND MAINTENANCE

PROBLEM	PROBABLE CAUSE	REMEDY
LED does not light.	Incorrect power supply voltage, (disconnection, or low voltage)	Correct supply voltage to 9.5 - 18 VDC.
	Incorrect detection area.	See section 2 and section 7.
	Incorrect polarity to detector.	Switch positive and negative at terminal.
	LED switch is OFF	Turn on the Switch, See section 10.
LED lights even though no person within area.	Moving object within area, (curtain, wall hanging, etc.)	Remove object from detection area.
	Rapid temperature changes (heater, air-conditioner, etc.) within area.	Remove object from detection area.
LED continues to light	Poor connection of alarm memory. (SX-360ZV)	Reconnect wire.
	Wrong control voltage from panel. (SX-360ZV)	Must be 0 to 1 VDC. (grounded)
LED lights but signal is not sent.	Relay contact is stuck or damaged due to overloading.	Check load of output. The unit needs repair or replacement.
	Faulty Wiring.	Wire correctly.

## 12 SPECIFICATIONS

Model	SX-360Z
Detection method	Passive Infrared
Detection zones	276 zones
Mounting location	Ceiling
Coverage / Mounting height	ø18 m (ø60 ft.) at 2.4 - 5 m (8 - 16 ft.)
Optical design	360° ZOOM
LED indicator	LED is blinking during warm-up period. Alarm condition
Alarm period	2.0 ±0.5 sec.
Alarm output	N.C., 28 VDC 0.2 A (max.)
Tamper switch	N.C., Opens when cover removed.
Tamper output	30 V DC 0.1 A (max.)
Pulse Count	20 ±5 sec. 1, 2 or 4
Warm up period	Approx. 20 sec. (LED blinks.)
Power input	9.5 to 18 VDC
Current draw	16 mA(normal), 18 mA/(max.)
Weight	224 g (7.90 oz)
Operating temperature	-20°C to +50°C (-4°F to +122°F)
Environment humidity	95% (max.)
RF interference	No Alarm 30 V/m

Model	SX-360ZV
Alarm memory	Armed : 0 to 1 VDC. See section 8.
Initial Alarm memory	Max.40 detectors See section 8.
Current draw	16 mA(normal), 28 mA/(max)
Weight	227 g (8.00 oz.)
RF interference	No Alarm 30 V/m



\* Specifications and design are subject to change without prior notice.

## 13 COMPLIANCE



EMC Directive (SX-360Z)  
2004/108/EC EN50131-1 Grades and Environmental Class:  
EN 50130-4: 2011 Security Grade 2 and Environmental Class II.  
EN 55022: 2010 EN 50131-2-2  
PD6662:2010 Tested and certified by Tefelocation.

larm klass 2, miljō klass II, SSF 1014 v4

UL/c-UL Listed

**Note>>**

- This unit is designed to detect movement of an intruder and activate an alarm control panel. Being only a part of a complete system, we cannot accept responsibility for any damages or other consequences resulting from an intrusion.
- This Product conforms to the EMC Directive, 2004/108/EC.
- The ULC products are installed in accordance with the Canadian Code as per Section 4.3 of ULC-S306.



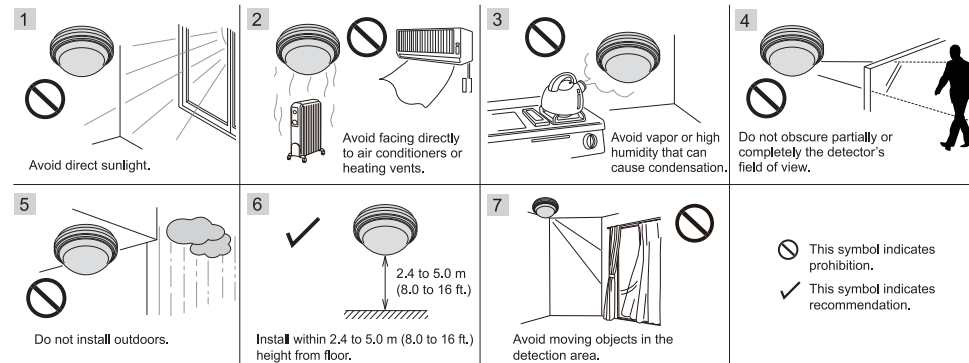
360° CEILING MOUNT PASSIVE INFRARED DETECTOR

**SX-360Z, SX-360ZV**

### FEATURES

- Ceiling mount 360° PIR detector
- Zoom area adjustment : ø18 m (ø60 ft.) at 2.4 - 5.0 m (8 - 16 ft.)
- High density detection area with 276 zones
- Selectable sensitivity (High, Medium or Low)
- Selectable pulse count (TEST, 2 or 4)
- Initial alarm memory (SX-360ZV)
- LED remote control terminal

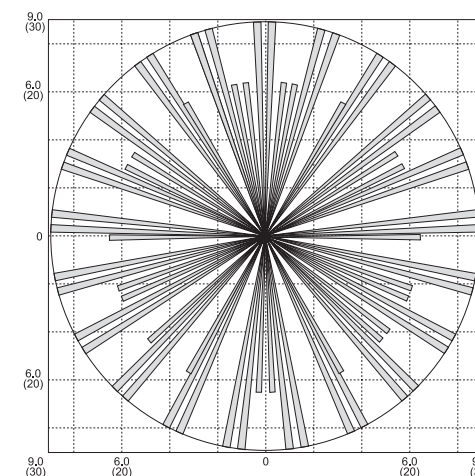
## 1 INSTALLATION HINTS



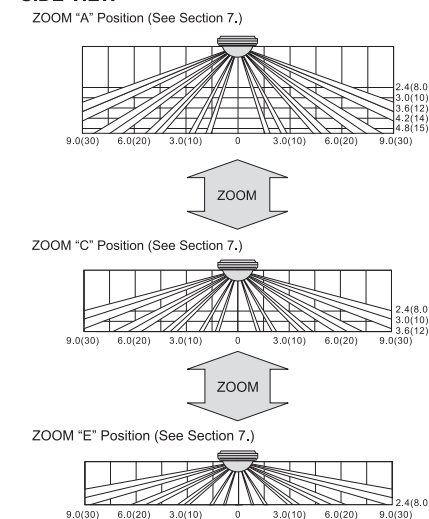
- ⊘ This symbol indicates prohibition.
- ✓ This symbol indicates recommendation.

## 2 DETECTION AREA

### TOP VIEW



### SIDE VIEW



Unit: m (ft)



OPTEX CO., LTD. (JAPAN)  
URL: <http://www.optex.net/>

OPTEX INC. (U.S.)  
URL: <http://www.optexamerica.com/>

OPTEX TECHNOLOGIES B.V. (The Netherlands)  
URL: <http://www.optex.eu/>

OPTEX PINNACLE INDIA, PVT., LTD. (India)  
URL: <http://www.optex.net/in/en/sec/>

OPTEX DO BRASIL LTDA. (Brazil)  
URL: <http://www.optex.net/br/es/sec/>

OPTEX SECURITY SAS (France)  
URL: <http://www.optex-security.com/>

OPTEX KOREA CO.,LTD. (Korea)  
URL: <http://www.optexkorea.com/>

OPTEX (EUROPE) LTD. / EMEA HQ (U.K.)  
URL: <http://www.optexeurope.com/>

OPTEX SECURITY Sp.z o.o. (Poland)  
URL: <http://www.optex.com.pl/>

OPTEX (DONGGUAN) CO.,LTD. SHANGHAI OFFICE (China)  
URL: <http://www.optexchina.com/>

