



45Kg Animal Immune / Dual Technology

Get reliable outdoor detection and freedom from false alarms with ALEPH's XC-1XTe 45Kg Animal Immune Outdoor Detector loaded with unique innovations. Superior white-light and RFI immunity, SMD circuitry, and unique copperplated circuit board provide outstanding performance and sensitivity.

The XC-1XTe incorporates a fully tested dual pyroelectric element, jumper selectable 2/4 pulse count, and a walk-test LED. The hard cover XC-1XTe Outdoor Detector is completely sealed against insects, and is unaffected by drafts. Wall mounting is fast and easy. Walk test LED verifies detection coverage and system readiness while visible from every angle.

Aleph Europe Ltd.
1 Newton Close, Park Farm,
Wellingborough, Northants
NN8 6UW, England
Phone: +44 1933 679600
Fax: +44 1933 401165
E-mail: info@alepheurope.com

Aleph Central Europe Inc.
Hungary 2146 Mogyoród Pf.:16, Kerekítő u. 2.
Tel. +36 28 542 250, Fax: +36 28 542 251
E-mail: sales@alephsecurity.com

XC-1XTe



FEATURES

- **45Kg Animal Immune**
- **Dual Technology**
- **Outdoor PIR / Microwave**
- **2 Form C Relays**
- **UV / Waterproof**
- **PIR sensitivity**
- **Pulse Count selectable**
- **Selectable Dual Mode / Disable LED**
- **Selectable Enable / Disable LED**
- **12m x 17m detection distance**
- **Pattern Recognition**
- **Optional Long Range Lens
(24m x 2,4m)**



45Kg Animal Immune / Dual Technology

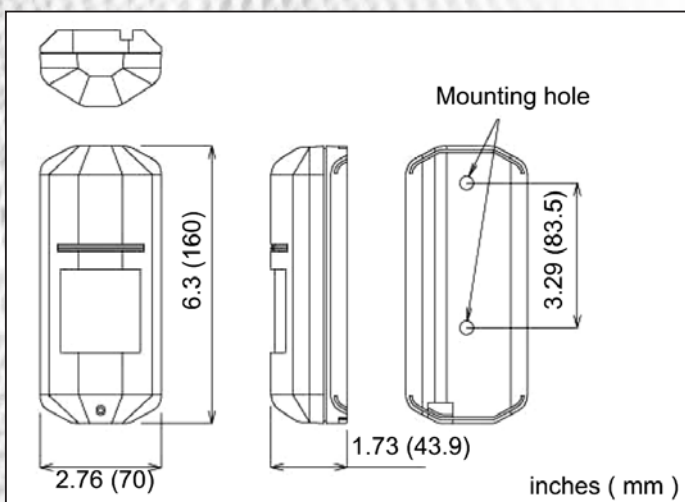
XC-1XTe

Specifications

Power Requirement	9.5 to 16VDC (Normal 12VDC)
Current Draw	35mA max.
PIR Detector	Dual-Element
PIR Detection Range	Standard - 12 m x 17 m
Long range lens	24 m x 2,4 m (optional)
PIR Sensitivity	Selectable
Adjustment PIR Pulse Count	(60 or 80 or 100 or 200) Selectable (2 or 4 pulses)
MW Detector	MIC Module (10.525GHz)
MW Range Adjustment	Volume Adjustment
MW Detection Range	20ft to 66ft (6m to 20m)
MW Pulse Count	2 Pulses
Warm-up period	50 ± 15sec

Alarm Period	2 ± 0.4 sec
Alarm Display	Red LED monitor (ON/OFF selectable)
PIR Detection Display	Green LED ON
MW Detection Display	Orange LED ON
Relay Output	2C Contact (N.C/N.O) 30VDC 0.35A max.
Tamper Contact	N.C. dry contact 30VDC 0.5A max
Operating Temperature	-15°F to +122°F (-26°C to +50°C)
Environment Humidity	95% max.
Dimension (H~W~D)	6.3in.~2.76in.~1.73in. (160mm~70mm~43.9mm)
Weight	6.3oz (180g)

DIMENSIONS



DETECTION PATTERN

