

Quick Installation Guide

Attention:

Please make sure the installation surface is thick enough to sustain at least 3X weight of the camera.

Note:

- If you want to install in the wood surface, expansion bolts are not necessary.
- The screw depth shall reserve 8mm-10mm to secure the bracket.

Please refer to Figure 1-1 for installation of **Model A**.

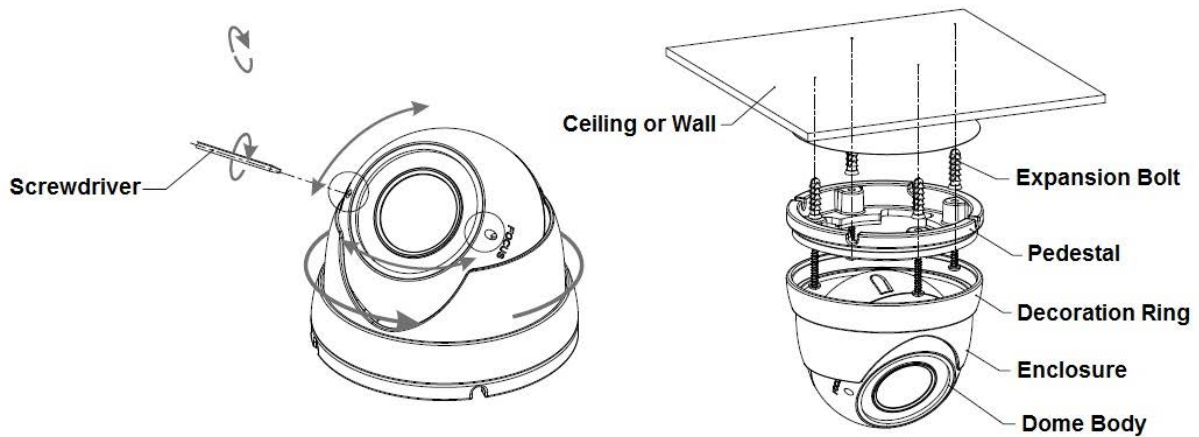


Figure 1-1

Please refer to Figure 1-2 for installation of **Model B**.

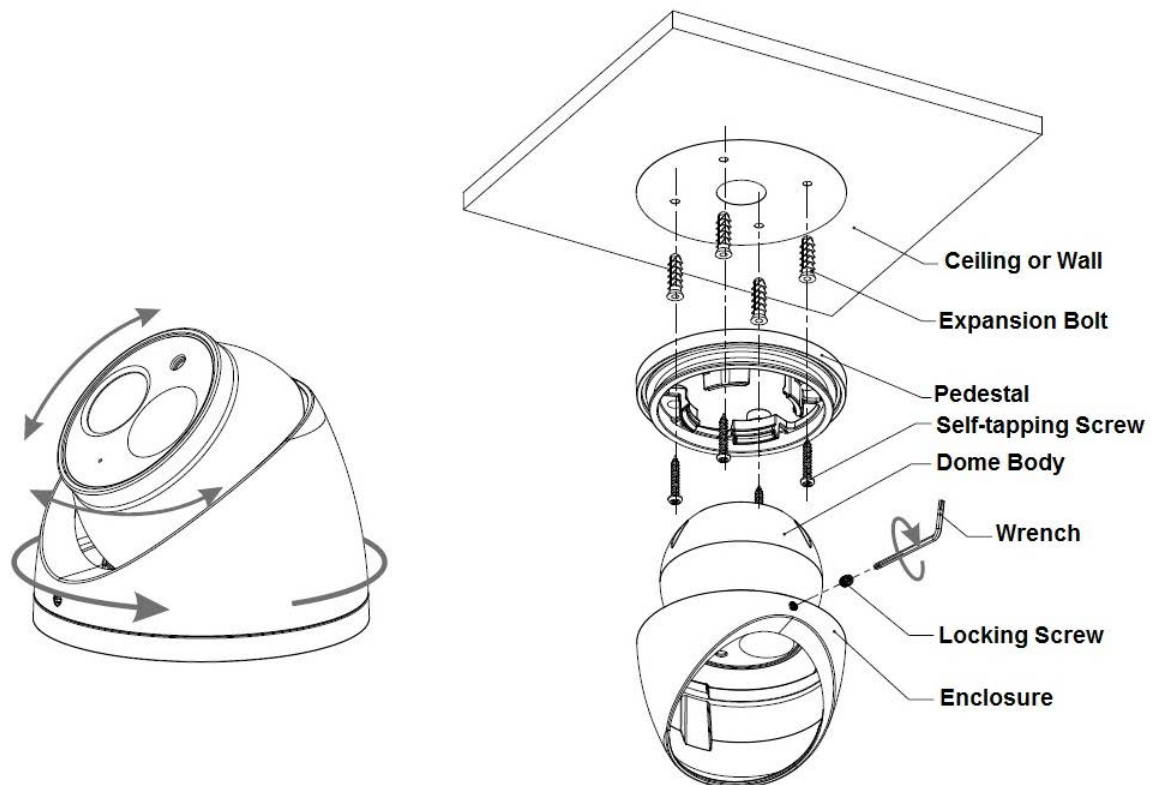


Figure 1-2

Please refer to Figure 1-3 for the installation of **Model C**.

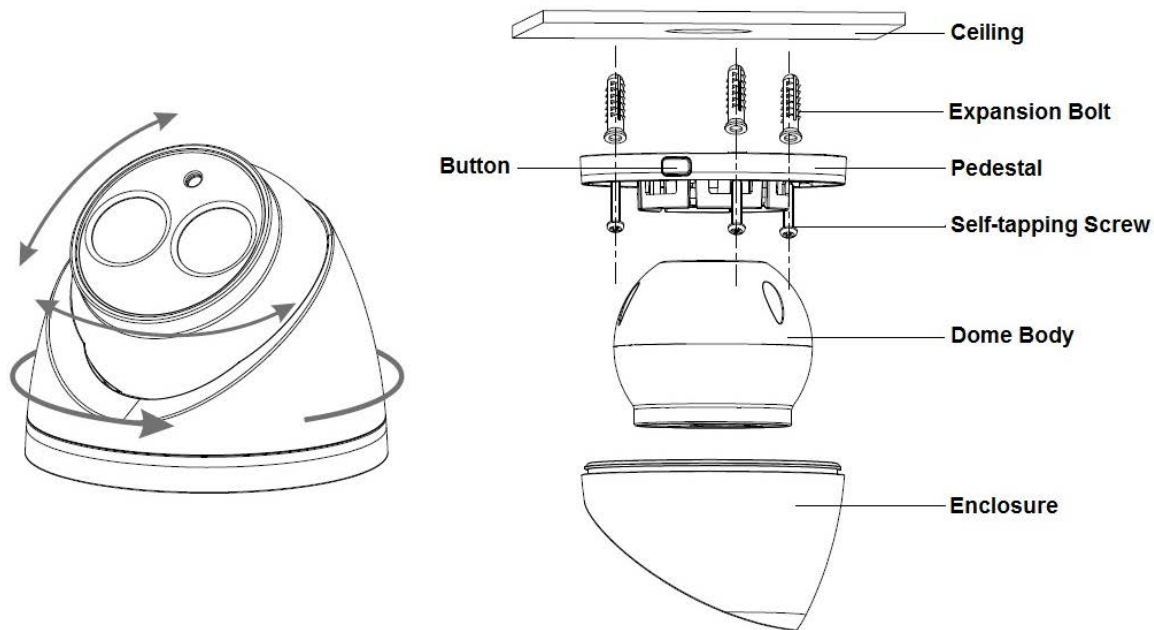


Figure 1-3

Please refer to Figure 1-4 for the installation of **Model D**.

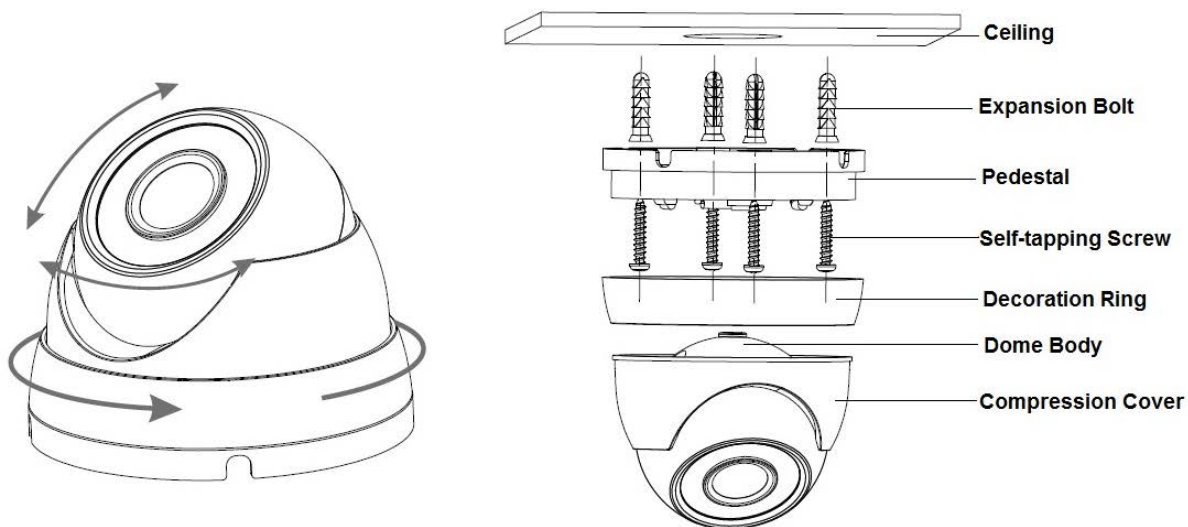


Figure 1-4

Please refer to Figure 1-5 and 1-6 for the installation of **Model E**.

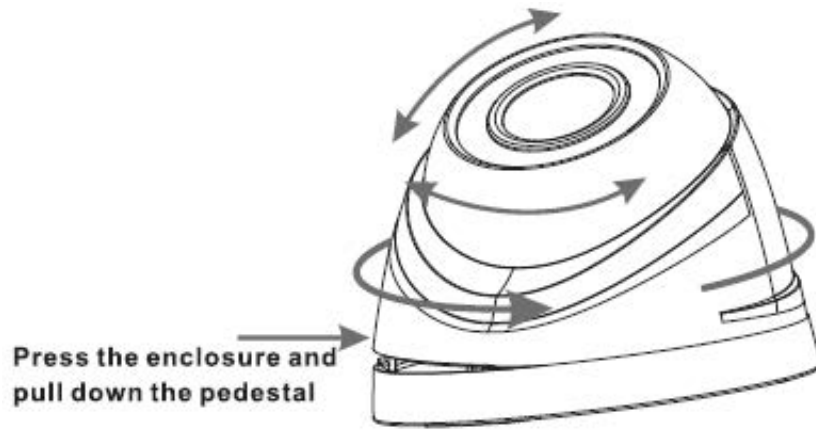


Figure 1-5

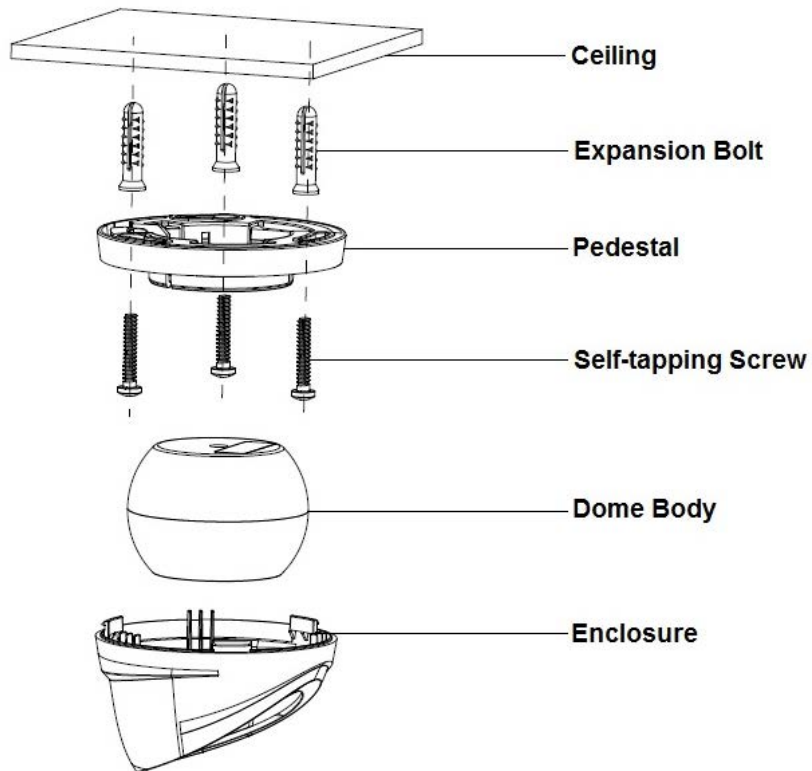


Figure 1-6

Please refer to Figure 1-7 for the installation of **Model F**.

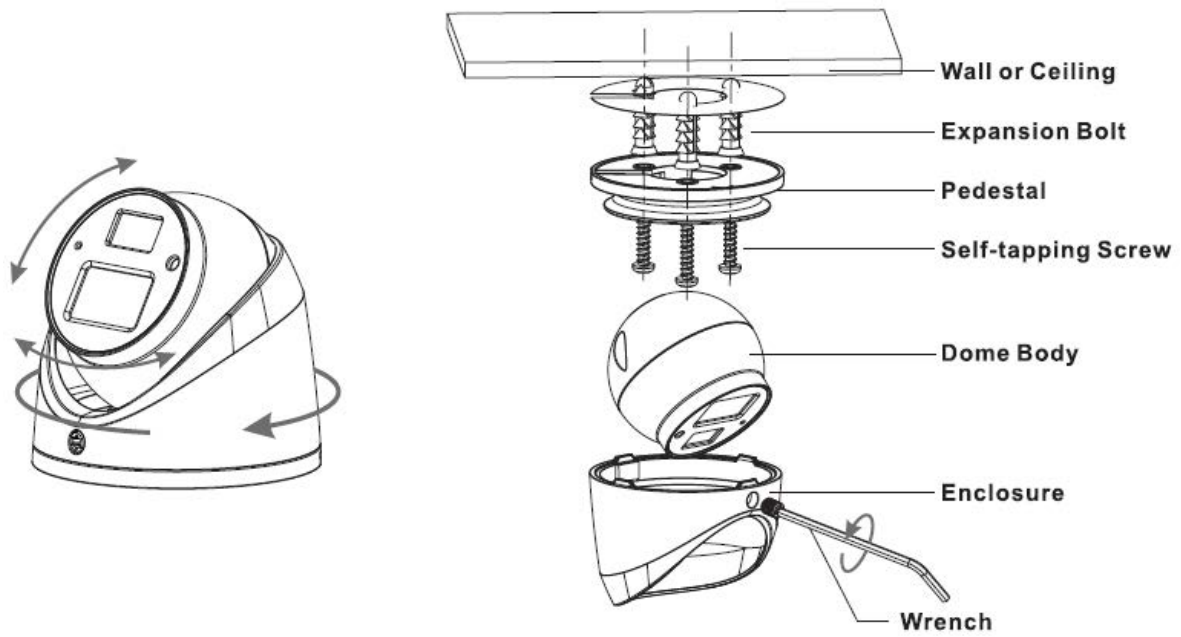


Figure 1-7

Note

- This manual is for reference only. Please visit our website or contact your local service engineer for more information.